

# PreGo

## School table with glides

Design — Iiro Viljanen



---

The PreGo student table with glides is a versatile choice for individual and group work in learning environments. Bag hooks at both ends of the top and rounded corners improve user comfort and safety. The tables can be stacked for space-efficient storage when not in use. The base is also available with lockable castors instead of glides.

The PreGo school desk is available in chipboard or plywood with a choice of colours and laminates. The colour of the base can be customised with shades from Martela's Inspiring Colours range.



Möbelfakta

---

### MATERIAL DESCRIPTION:

**Table top:** white, grey, oak or colour laminates, matt laminates, linoleums

**Base:** epoxy-lacquered steel in white, black or Inspiring Colours

---

### STACKABILITY:

On floor max 4 pcs

---

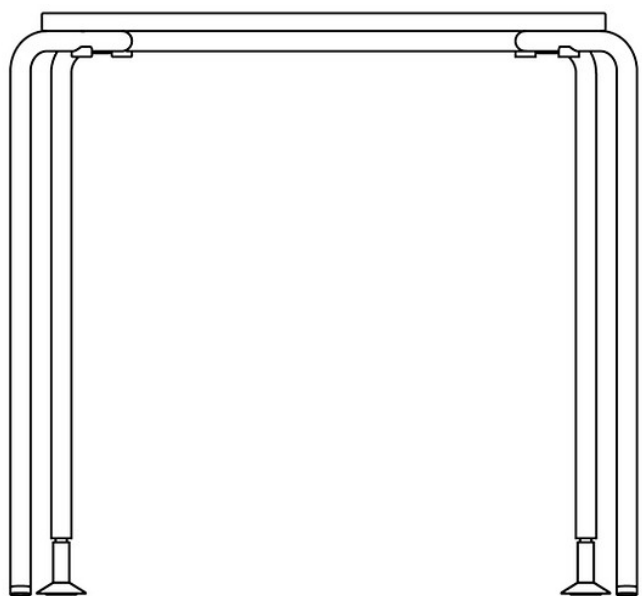
### FEATURES:

- Lockable glides
  - Rounded corners on table tops
  - Backpack hooks on both sides
  - Stackable
- 

### CARBON FOOTPRINT:

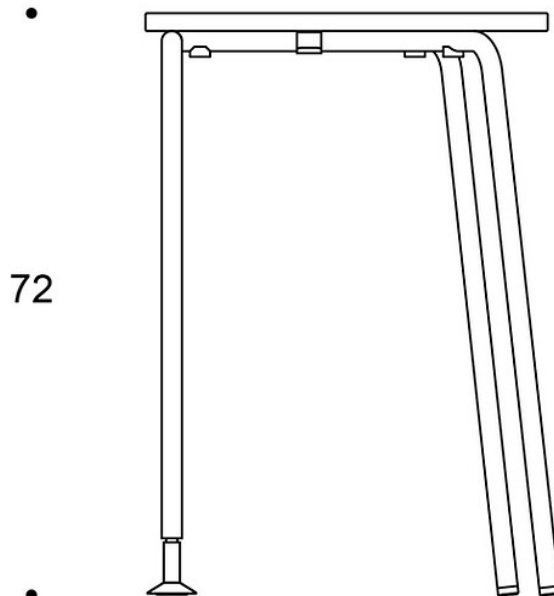
**PreGo with glides, 70x50:** 25,05 kg CO<sub>2</sub>e

Dimensional drawing:



78

70



72

52



50